



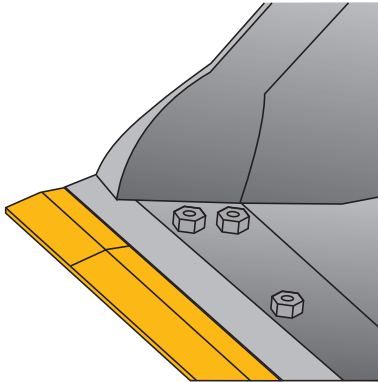


**T O U G H
C O M P O N E N T S**

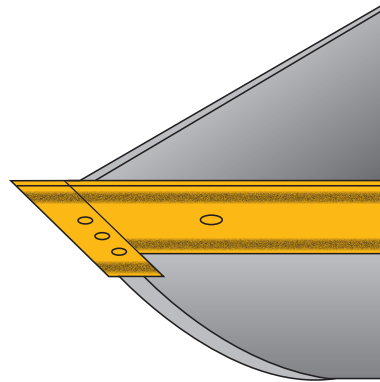
THROUGH HARDENED BOLT-ON EDGES

For Corner Guard System & Rock Bucket

Standard quality



With A.F.M. (Antiwear Facing Material)



Important Reasons why and when BOLT-ON Edges should be used:

- they **are more economical** than edges complete with teeth when penetration is not a problem. Stockpiling and loading loose material are ideal applications;
- they **protect and extend the life** of your bucket edges and corners;
- they **are through hardened to 500 HB** and they have the **same steel composition** as the O.E.M. (Original Equipment Manufacturers), therefore same durability;
- they can be **replaced or rotated quickly and inexpensively**, with no burning or welding. Consequently a **big saving of time** and money;
- the ones **with A.F.M.** (Antiwear Facing Material) are **ideal where sand, gravel and other abrasive materials wear edges prematurely**; with A.F.M. are recommended in low to moderate impact applications.

TECHNICAL INFORMATION

Standard quality

30MnCrB5H

Material Specification

Mechanical Properties

Surface Hardness	460÷520 HB
Tensile Strength	1530 MPa min.
Yield Strength	1300 MPa min.
Elongation	7% min.
Impact Strength (DVM) to 20°C	40 J/cm ² min.

With A.F.M.

Tungsten Carbide Particles

Hard Facing Material	1050÷1420 HV ₁
Martensitic Matrix	730÷800 HV ₁ (62÷65 HRC)
Base Material	460÷520 HB (49÷52 HRC)





**T O U G H
C O M P O N E N T S**

A.F.M.

ANTIWEAR FACING MATERIAL

A.F.M. is a coating made of extremely hard tungsten carbide particles, bonded with high martensitic alloy, which forms a protective shield on the more exposed wearing surfaces of the G.E.T. parts.

Compared with no A.F.M. protected, **the shielded G.E.T. parts can last up to 3-5 times longer** in high abrasion/low to moderate impact conditions.

Comprehensibly, A.F.M. protected G.E.T. parts cost more than similar standard tools but the higher initial cost is more than compensated by the following advantages:

- **more Wear Life**, because A.F.M. G.E.T. parts last up to 3-5 times longer and consequently their costs per hour in appropriate operations are lowered drastically;
- **higher Production**, because the hard shield improves penetration and the machine is helped to improve productivity;
- **increased Machine Availability**, because longer wear life offers the big advantage to spend less time replacing Antiwear faced G.E.T. parts, consequently, reduced operating costs.

Bolt-On Cutting Edges and End Bits,

Bucket Tips, especially Heavy Duty Long Life type,

Ripper Tips, either Penetration or Centerline type,

Shouldered Adapters, like Two Strap, Flush Mount and Bolt-On type,

Corner Guard Adapters

are the G.E.T. parts that we can supply provided **with Antiwear Facing Material (A.F.M.)**.

TECHNICAL INFORMATION

Hardnesses

Hard Facing Material 1050÷1420 HV₁
(Tungsten Carbide Particles)

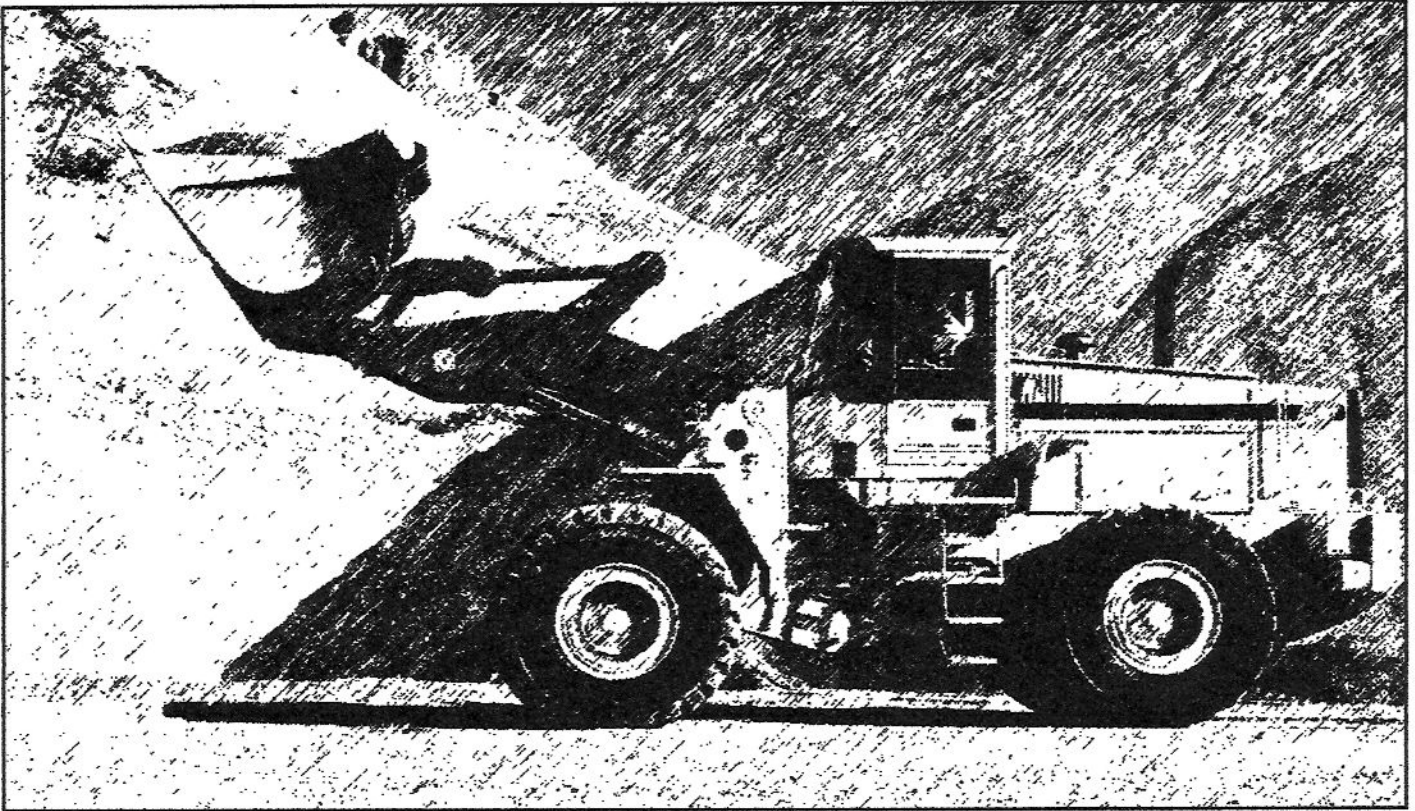
Martensitic Matrix 730÷800 HV₁
(62÷65 HRC)

Base Material 460÷520 HB
(49÷52 HRC)

VOLVO-LOADERS



**T O U G H
C O M P O N E N T S**



Our parts are not original but they are interchangeable with them. The O.E.M. Part Numbers are give for reference purposes only.

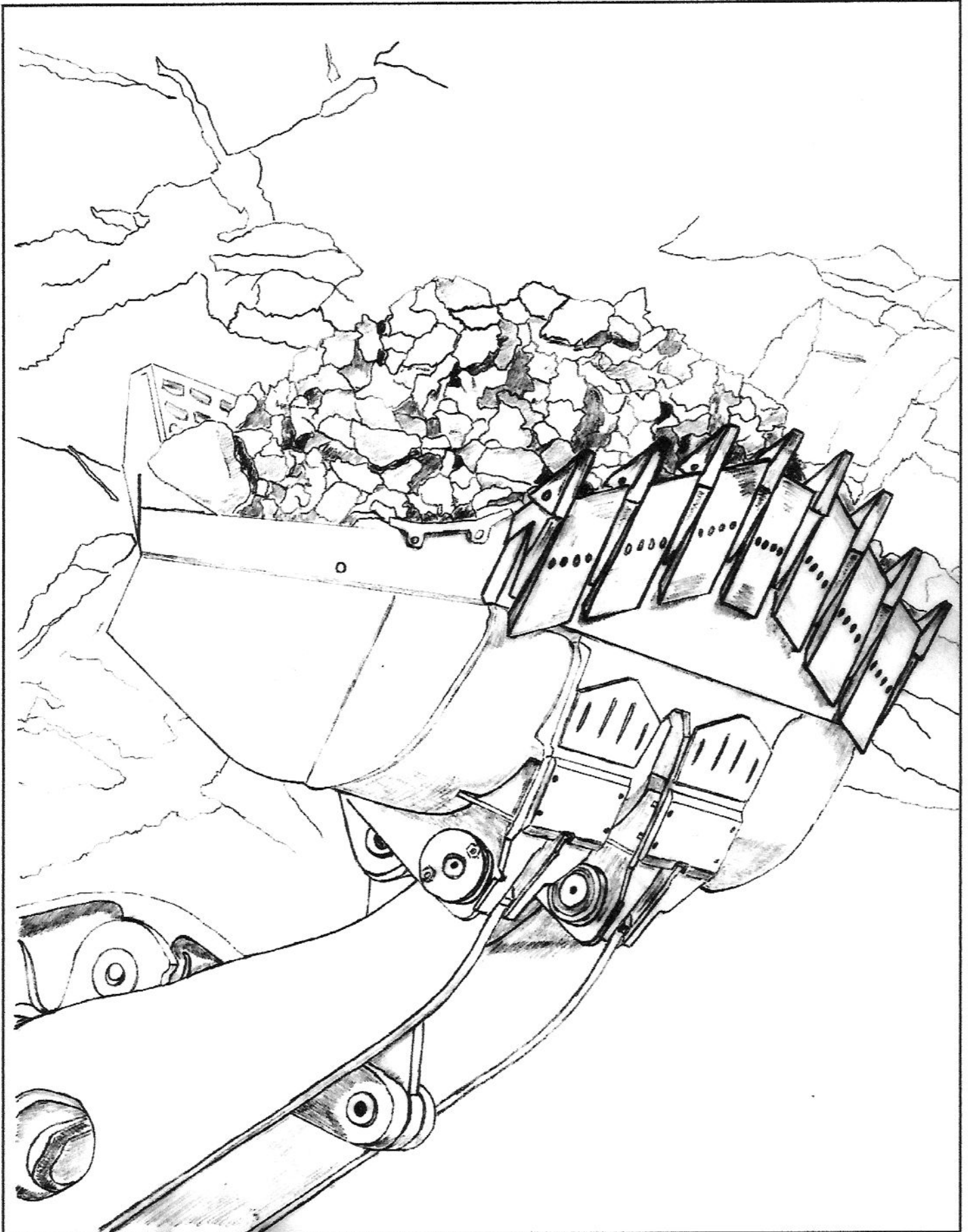
VOL-LOA 1

VOLVO-LOADERS

Applications



**T O U G H
C O M P O N E N T S**



Our parts are not original but they are interchangeable with them. The O.E.M. Part Numbers are give for reference purposes only.

VOL-LOA 2

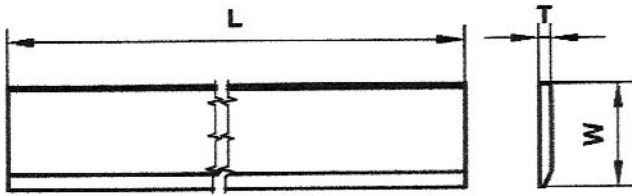
VOLVO-LOADERS

Base Edges

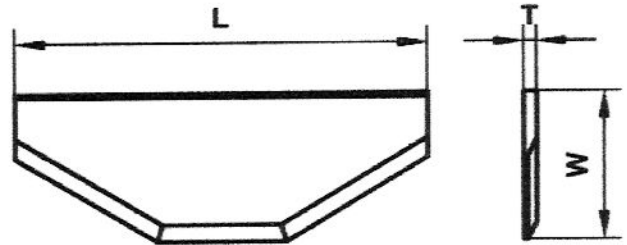


**T O U G H
C O M P O N E N T S**

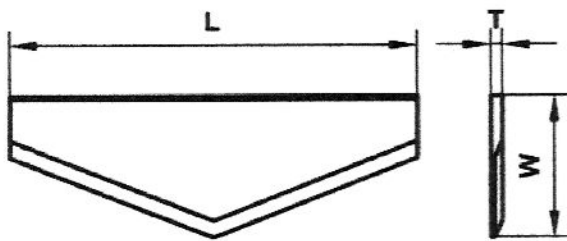
TYPE 1



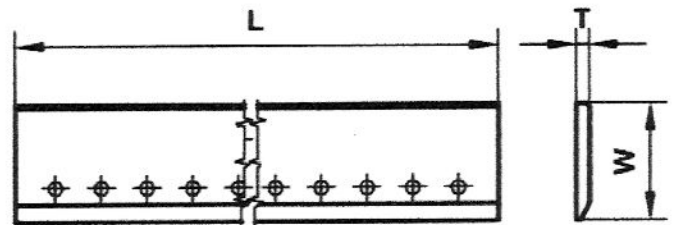
TYPE 2



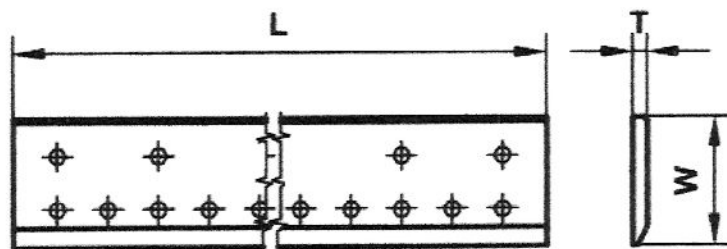
TYPE 4



TYPE 12



TYPE 15



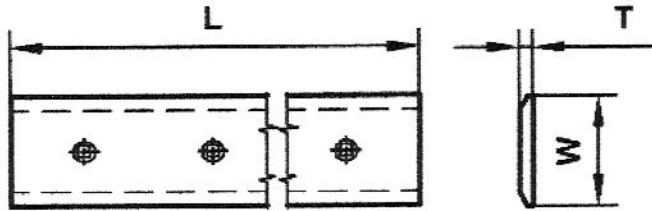
VOLVO-LOADERS

Bolt-on Edges

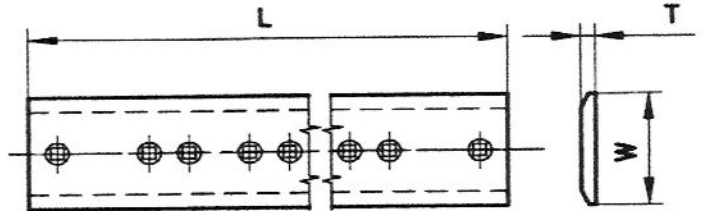


**T O U G H
C O M P O N E N T S**

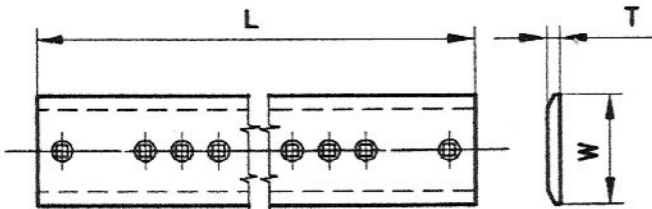
TYPE 1



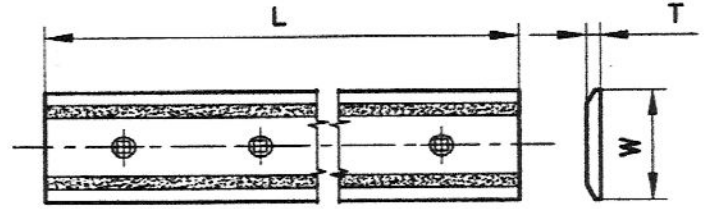
TYPE 2



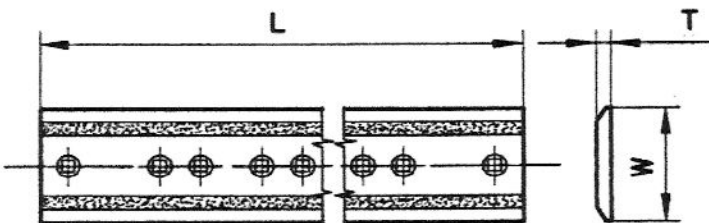
TYPE 3



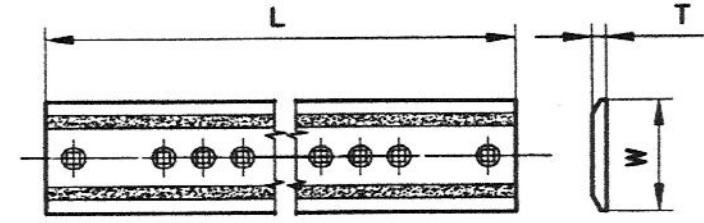
TYPE 20 (AFM)



TYPE 21 (AFM)



TYPE 24 (AFM)



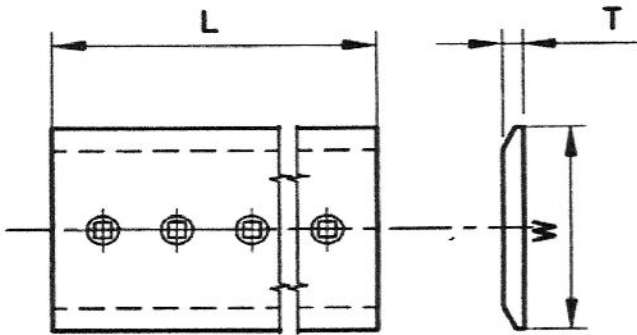
VOLVO-LOADERS

End Sections

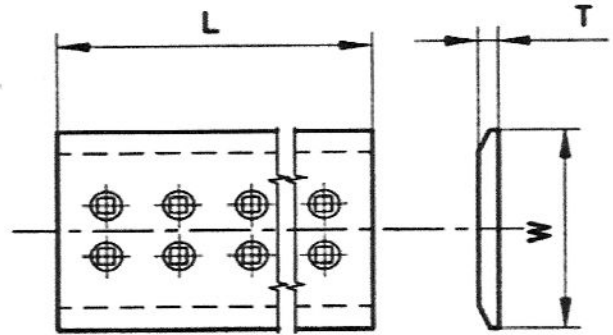


**T O U G H
C O M P O N E N T S**

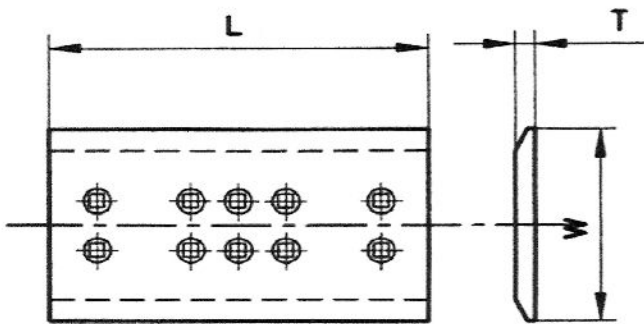
TYPE 1



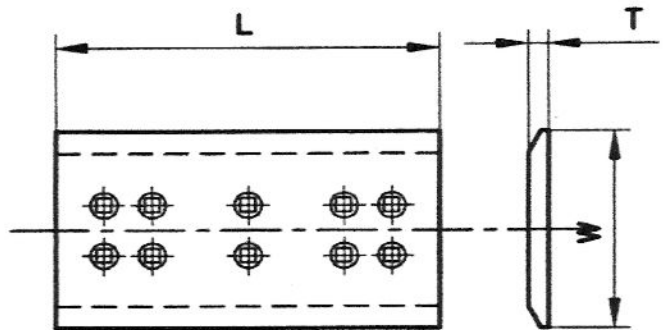
TYPE 16



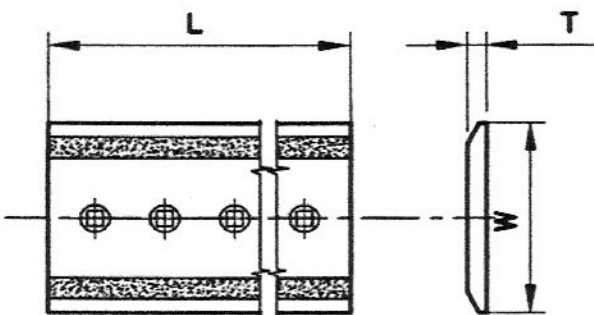
TYPE



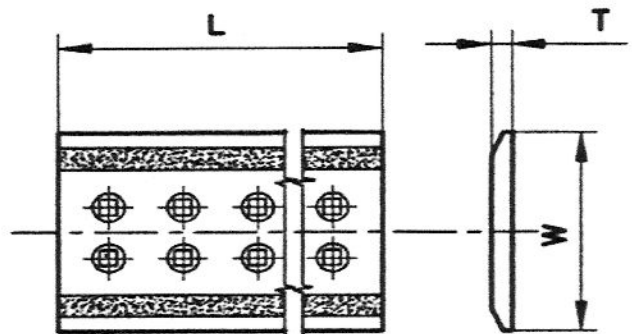
TYPE 25



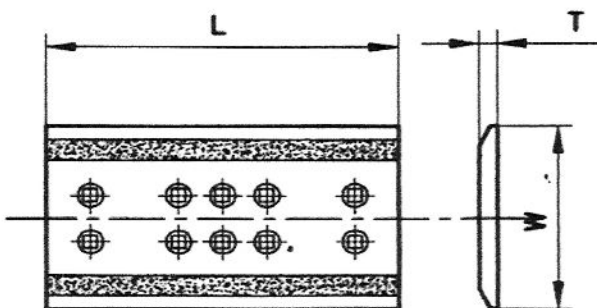
TYPE 3 (AFM)



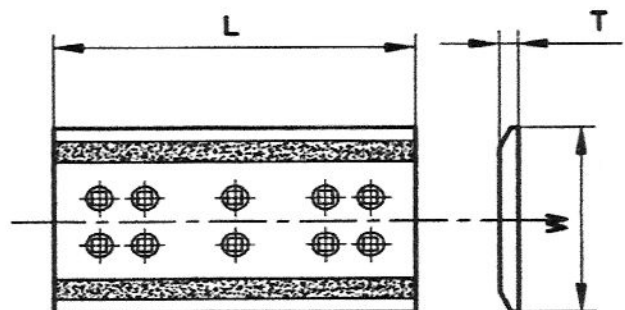
TYPE 22 (AFM)



TYPE 23 (AFM)



TYPE 26 (AFM)



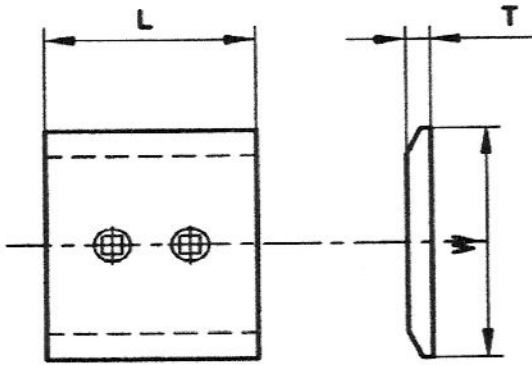
VOLVO-LOADERS

Segments

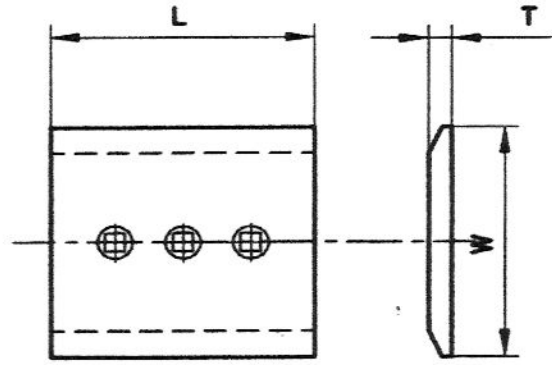


**T O U G H
C O M P O N E N T S**

SEG. 4



SEG. 5



VOLVO-LOADERS

Base Edges, Bolt-on Edges & End Sections



**T O U G H
C O M P O N E N T S**

Model	O.E.M. Part Number	MTM Part Number	Ref.	Description	Nr. Pcs	Millimeters			Qt. ty	Nr. H.	Bolt metr.	Bolt inc.	W. Kg.	Bolt size
						W	T	L						
4200 std	4857501-3	014-P00-01	12	Base Edge STD STR	1	150	20	2130	MT2	9	M16	5/8"	47,9	5/8"x2"
L30 std	4857492-5	014-O00-03	1	Bolt-on Edge STD CTR	3	254	20	710	MT2	3	M16	5/8"	27,1	
	(4857492-5)	014-O01-03	20	Bolt-on Edge AFM CTR	3	254	20	710	MT2	3	M16	5/8"	28,8	
	11010634-1	014-P00-02	12	Base Edge STD STR	1	150	20	2240	MT2	9	M16	5/8"	50,4	5/8"x2"
	11010633-3	014-O00-04	1	Bolt-on Edge STD CTR	3	254	20	744	MT2	3	M16	5/8"	28,3	
	(11010633-3)	014-O01-04	20	Bolt-on Edge AFM CTR	3	254	20	744	MT2	3	M16	5/8"	30,2	
L30	11010991-5	014-P00-16	12	Base Edge STD STR	1	200	20	2130	MT2	15	M16	5/8"	63,9	5/8"x2"
	11011143-2	014-O00-13	1	Bolt-on Edge STD CTR	1	254	20	1248	MT2	9	M16	5/8"	47,5	
	11011144-0	014-O00-14	1	End-Section STD AMBI	2	254	20	436	MT2	3	M16	5/8"	16,6	
	(11011143-2)	014-O01-13	20	Bolt-on Edge AFM CTR	1	254	20	1248	MT2	9	M16	5/8"	50,7	
	(11011144-0)	014-O01-14	3	End-Section AFM AMBI	2	254	20	436	MT2	3	M16	5/8"	17,7	
4200B std	4857502-1	014-P00-03	1	Base Edge STD STR	1	200	20	2300	MT2	9	M16	5/8"	69,0	5/8"x2"
L50std	4857493-3	014-O00-05	1	Bolt-on Edge STD CTR	3	254	20	768	MT2	3	M16	5/8"	29,3	
	(4857493-3)	014-O01-05	20	Bolt-on Edge AFM CTR	3	254	20	768	MT2	3	M16	5/8"	31,2	
L50 L50B L50C	11010393-4	014-P00-17	1	Base Edge STD STR	1	200	20	2300	MT2	17	M16	5/8"	69,0	5/8"x2"
	11011143-2	014-O00-13	1	Bolt-on Edge STD CTR	1	254	20	1248	MT2	9	M16	5/8"	47,5	
	11011414-7	014-O00-15	1	End-Section STD AMBI	2	254	20	521	MT2	4	M16	5/8"	19,9	
	(11011143-2)	014-O01-13	20	Bolt-on Edge AFM CTR	1	254	20	1248	MT2	9	M16	5/8"	50,7	
	(11011414-7)	014-O01-15	3	End-Section AFM AMBI	2	254	20	521	MT2	4	M16	5/8"	21,2	
	11012935-0	014-P00-30	1	Base Edge STD STR	1	200	20	2380	MT2	17	M16	5/8"	71,4	5/8"x2"
	11012938-4	014-O00-33	1	Bolt-on Edge STD CTR	1	254	20	1328	MT2	9	M16	5/8"	50,6	
	11011414-7	014-O00-15	1	End-Section STD AMBI	2	254	20	521	MT2	4	M16	5/8"	19,9	
	(11012938-4)	014-O01-33	20	Bolt-on Edge AFM CTR	1	254	20	1328	MT2	9	M16	5/8"	53,9	
	(11011414-7)	014-O01-15	3	End-Section AFM AMBI	2	254	20	521	MT2	4	M16	5/8"	21,2	
	11081543-8	014-P00-36	1	Base Edge STD STR	1	200	20	2500	MT2	18	M16	5/8"	75,0	5/8"x2"
	11081544-6	014-O00-39	1	Bolt-on Edge STD CTR	1	254	20	1448	MT2	10	M16	5/8"	55,2	
	11011414-7	014-O00-15	1	End-Section STD AMBI	2	254	20	521	MT2	4	M16	5/8"	19,9	
	(11081544-6)	014-O01-39	20	Bolt-on Edge AFM CTR	1	254	20	1448	MT2	10	M16	5/8"	58,8	
	(11011414-7)	014-O01-15	3	End-Section AFM AMBI	2	254	20	521	MT2	4	M16	5/8"	21,2	
	11081624-6	014-P00-37	2	Base Edge STD STR	1	200	20	2550	MT2	21	M16	5/8"	76,5	5/8"x2"
	11081625-3	014-O00-40	1	Bolt-on Edge STD CTR	1	280	25	1498	MT2	9	M16	5/8"	78,6	
	11011413-9	014-O00-17	16	End-Section STD AMBI	2	360	30	521	MT2	8	M16	5/8"	42,2	
	(11081625-3)	014-O01-40	20	Bolt-on Edge AFM CTR	1	280	25	1498	MT2	9	M16	5/8"	82,4	
	(11011413-9)	014-O01-17	22	End-Section AFM AMBI	2	360	30	521	MT2	8	M16	5/8"	43,5	
L50C	11011438-6	014-P00-19	2	Base Edge STD STR	1	200	25	2500	MT2	21	M16	5/8"	93,8	5/8"x2 1/4"
L70C	11012887-3	014-O00-18	1	Bolt-on Edge STD CTR	1	280	25	1448	MT2	9	M16	5/8"	76,0	

Base Edges used only bolt-on Edges

Our parts are not original but they are interchangeable with them. The O.E.M. Part Numbers are give for reference purposes only.

VOLVO-LOADERS

Base Edges, Bolt-on Edges & End Sections



**T O U G H
C O M P O N E N T S**

Model	O.E.M. Part Number	MTM Part Number	Ref.	Description	Nr. Pcs	Millimeters			Qt. ty	Nr. H.	Bolt metr.	Bolt inc.	W. Kg.	Bolt size
						W	T	L						
L50C	11011413-9	014-O00-17	16	End-Section STD AMBI	2	360	30	521	MT2	8	M16	5/8"	42,2	
L70C	(11012887-3)	014-O01-18	20	Bolt-on Edge AFM CTR	1	280	25	1448	MT2	9	M16	5/8"	79,7	
	(11011413-9)	014-O01-17	22	End-Section AFM AMBI	2	360	30	521	MT2	8	M16	5/8"	43,5	
4300 std	4857503-9	014-P00-04	1	Base Edge STD STR	1	200	25	2430	MT2	12	M20	7/8"	91,1	7/8"x2 1/2"
4300B std	4857494-1	014-O00-06	1	Bolt-on Edge STD CTR	4	254	20	608	MT2	3	M20	7/8"	23,2	
L70 std	(4857494-1)	014-O01-06	20	Bolt-on Edge AFM CTR	4	254	20	608	MT2	3	M20	7/8"	24,7	
6300 std	4859527-6	014-P00-05	1	Base Edge STD STR	1	200	25	2500	MT2	12	M20	7/8"	93,8	7/8"x2 1/2"
	4857495-8	014-O00-07	1	Bolt-on Edge STD CTR	4	305	25	626	MT2	3	M20	7/8"	35,8	
	(4857495-8)	014-O01-07	20	Bolt-on Edge AFM CTR	4	305	25	626	MT2	3	M20	7/8"	37,4	
	4859182-0	014-P00-06	1	Base Edge STD STR	1	200	20	2500	MT2	12	M20	7/8"	75,0	7/8"x2 1/2"
	4857495-8	014-O00-07	1	Bolt-on Edge STD CTR	4	305	25	626	MT2	3	M20	7/8"	35,8	
	(4857495-8)	014-O01-07	20	Bolt-on Edge AFM CTR	4	305	25	626	MT2	3	M20	7/8"	37,4	
	4857504-7	014-P00-07	1	Base Edge STD STR	1	200	25	2500	MT2	12	M20	7/8"	93,8	7/8"x2 1/2"
	4857495-8	014-O00-07	1	Bolt-on Edge STD CTR	4	305	25	626	MT2	3	M20	7/8"	35,8	
	(4857495-8)	014-O01-07	20	Bolt-on Edge AFM CTR	4	305	25	626	MT2	3	M20	7/8"	37,4	
	4859041-8	014-P00-08	1	Base Edge STD STR	1	200	25	3000	MT2	15	M24	1"	112,5	1"x2 1/2"
	4859042-6	014-O00-08	1	Bolt-on Edge STD CTR	5	254	25	608	MT2	3	M24	1"	29,0	
	(4859042-6)	014-O01-08	20	Bolt-on Edge AFM CTR	5	254	25	608	MT2	3	M24	1"	30,5	
L70	11010394-2	014-P00-18	2	Base Edge STD STR	1	200	25	2430	MT2	21	M16	5/8"	91,1	5/8"x2 1/4"
6300	11011412-1	014-O00-16	1	Bolt-on Edge STD CTR	1	280	25	1378	MT2	9	M16	5/8"	72,3	
	11011413-9	014-O00-17	16	End-Section STD AMBI	2	360	30	521	MT2	8	M16	5/8"	42,2	
	(11011412-1)	014-O01-16	20	Bolt-on Edge AFM CTR	1	280	25	1378	MT2	9	M16	5/8"	75,8	
	(11011413-9)	014-O01-17	22	End-Section AFM AMBI	2	360	30	521	MT2	8	M16	5/8"	43,5	
6300	11011438-6	014-P00-19	2	Base Edge STD STR	1	200	25	2500	MT2	21	M16	5/8"	93,8	5/8"x2 1/4"
	11012887-3	014-O00-18	1	Bolt-on Edge STD CTR	1	280	25	1448	MT2	9	M16	5/8"	76,0	
	11011413-9	014-O00-17	16	End-Section STD AMBI	2	360	30	521	MT2	8	M16	5/8"	42,2	
	(11012887-3)	014-O01-18	20	Bolt-on Edge AFM CTR	1	280	25	1448	MT2	9	M16	5/8"	79,7	
	(11011413-9)	014-O01-17	22	End-Section AFM AMBI	2	360	30	521	MT2	8	M16	5/8"	43,5	
L70B	11012169-6	014-P00-29	2	Base Edge STD STR	1	200	20	2650	MT2	22	M16	5/8"	79,5	5/8"x2 1/4"
L70C	11012832-9	014-O00-32	1	Bolt-on Edge STD CTR	1	280	25	1598	MT2	10	M16	5/8"	83,9	
EL70	11011413-9	014-O00-17	16	End-Section STD AMBI	2	360	30	521	MT2	8	M16	5/8"	42,2	
	(11012832-9)	014-O01-32	20	Bolt-on Edge AFM CTR	1	280	25	1598	MT2	10	M16	5/8"	87,9	
	(11011413-9)	014-O01-17	22	End-Section AFM AMBI	2	360	30	521	MT2	8	M16	5/8"	43,5	
	11012803-0	014-P00-29	2	Base Edge STD STR	1	200	20	2650	MT2	22	M16	5/8"	79,5	5/8"x2 1/4"
	11012832-9	014-O00-32	1	Bolt-on Edge STD CTR	1	280	25	1598	MT2	10	M16	5/8"	83,9	
cont.	11011413-9	014-O00-17	16	End-Section STD AMBI	2	360	30	521	MT2	8	M16	5/8"	42,2	

Base Edges used only bolt-on Edges

Our parts are not original but they are interchangeable with them. The O.E.M. Part Numbers are give for reference purposes only.

VOLVO-LOADERS

Base Edges, Bolt-on Edges & End Sections



**T O U G H
C O M P O N E N T S**

Model	O.E.M. Part Number	MTM Part Number	Ref.	Description	Nr. Pcs	Millimeters			Qt. ty	Nr. H.	Bolt metr.	Bolt inc.	W. Kg.	Bolt size
						W	T	L						
L70B	(11012832-9)	014-001-32	20	Bolt-on Edge AFM CTR	1	280	25	1598	MT2	10	M16	5/8"	87,9	
L70C	(11011413-9)	014-001-17	22	End-Section AFM AMBI	2	360	30	521	MT2	8	M16	5/8"	43,5	
EL70	11082121-2	014-P00-39	2	Base Edge STD STR	1	200	25	2550	MT2	21	M16	5/8"	95,6	5/8"x2 1/4"
	11081625-3	014-000-40	1	Bolt-on Edge STD CTR	1	280	25	1498	MT2	9	M16	5/8"	78,6	
	11011413-9	014-000-17	16	End-Section STD AMBI	2	360	30	521	MT2	8	M16	5/8"	42,2	
	(11081625-3)	014-001-40	20	Bolt-on Edge AFM CTR	1	280	25	1498	MT2	9	M16	5/8"	82,4	
	(11011413-9)	014-001-17	22	End-Section AFM AMBI	2	360	30	521	MT2	8	M16	5/8"	43,5	
	11082218-6	014-P00-31	2	Base Edge STD STR	1	250	30	2750	MT2	21	M20	7/8"	154,7	7/8"x2 3/4"
	11081051-2	014-000-35	1	Bolt-on Edge STD CTR	1	305	25	1448	MT2	9	M20	7/8"	82,8	
	11011112-7	014-000-20	16	End-Section STD AMBI	2	406	25	646	MT2	8	M20	7/8"	49,2	
	(11081051-2)	014-001-35	20	Bolt-on Edge AFM CTR	1	305	25	1448	MT2	9	M20	7/8"	86,5	
	(11011112-7)	014-001-20	22	End-Section AFM AMBI	2	406	25	646	MT2	8	M20	7/8"	50,8	
	11082219-4	014-P00-41	2	Base Edge STD STR	1	270	32	3000	MT2	19	M20	7/8"	194,4	7/8"x2 3/4"
	11082755-7	014-000-41	1	Bolt-on Edge STD CTR	1	360	30	1745	MT2	9	M20	7/8"	141,3	
	11011154-9	014-000-22	16	End-Section STD AMBI	2	471	30	622	MT2	6	M20	7/8"	65,9	
	(11082755-7)	014-001-41	20	Bolt-on Edge AFM CTR	1	360	30	1745	MT2	9	M20	7/8"	145,7	
	(11011154-9)	014-001-22	22	End-Section AFM AMBI	2	471	30	622	MT2	6	M20	7/8"	67,5	
L70C	11081682-4	014-P00-38	2	Base Edge STD STR	1	250	30	2650	MT2	21	M20	7/8"	149,1	7/8"x2 3/4"
L90C	11011111-9	014-000-19	1	Bolt-on Edge STD CTR	1	305	25	1348	MT2	9	M20	7/8"	77,1	
	11011112-7	014-000-20	16	End-Section STD AMBI	2	406	25	646	MT2	8	M20	7/8"	49,2	
	(11011111-9)	014-001-19	20	Bolt-on Edge AFM CTR	1	305	25	1348	MT2	9	M20	7/8"	80,5	
	(11011112-7)	014-001-20	22	End-Section AFM AMBI	2	406	25	646	MT2	8	M20	7/8"	50,8	
4400 std	4858166-4	014-P00-09	1	Base Edge STD STR	1	200	25	2500	MT2	12	M24	1"	93,8	1"x2 3/4"
L90 std	4858167-2	014-000-09	1	Bolt-on Edge STD CTR	4	330	25	626	MT2	3	M24	1"	38,7	
	(4858167-2)	014-001-09	20	Bolt-on Edge AFM CTR	4	330	25	626	MT2	3	M24	1"	40,3	
	11010184-7	014-P00-10	1	Base Edge STD STR	1	200	25	2750	MT2	12	M24	1"	103,1	1"x2 3/4"
	4857496-6	014-000-10	1	Bolt-on Edge STD CTR	4	330	25	686	MT2	3	M24	1"	42,4	
	(4857496-6)	014-001-10	20	Bolt-on Edge AFM CTR	4	330	25	686	MT2	3	M24	1"	44,2	
L90	11010395-9	014-P00-20	2	Base Edge STD STR	1	200	25	2650	MT2	21	M20	7/8"	99,4	7/8"x2 1/2"
	11011111-9	014-000-19	1	Bolt-on Edge STD CTR	1	305	25	1348	MT2	9	M20	7/8"	77,1	
	11011112-7	014-000-20	16	End-Section STD AMBI	2	406	25	646	MT2	8	M20	7/8"	49,2	
	(11011111-9)	014-001-19	20	Bolt-on Edge AFM CTR	1	305	25	1348	MT2	9	M20	7/8"	80,5	
	(11011112-7)	014-001-20	22	End-Section AFM AMBI	2	406	25	646	MT2	8	M20	7/8"	50,8	
L90B	11081049-6	014-P00-56	2	Base Edge STD STR	1	200	25	2750	MT2	21	M20	7/8"	103,1	7/8"x2 1/2"
cont.	11081051-2	014-000-35	1	Bolt-on Edge STD CTR	1	305	25	1448	MT2	9	M20	7/8"	82,8	

Base Edges used only bolt-on Edges

Our parts are not original but they are interchangeable with them. The O.E.M. Part Numbers are give for reference purposes only.

VOLVO-LOADERS

Base Edges, Bolt-on Edges & End Sections



**T O U G H
C O M P O N E N T S**

Model	O.E.M. Part Number	MTM Part Number	Ref.	Description	Nr. Pcs	Millimeters			QI. ty	Nr. H.	Bolt metr.	Bolt inc.	W. Kg.	Bolt size
						W	T	L						
L90B	11011112-7	014-000-20	16	End-Section STD AMBI	2	406	25	646	MT2	8	M20	7/8"	49,2	
	(11081051-2)	014-001-35	20	Bolt-on Edge AFM CTR	1	305	25	1448	MT2	9	M20	7/8"	86,5	
	(11011112-7)	014-001-20	22	End-Section AFM AMBI	2	406	25	646	MT2	8	M20	7/8"	50,8	
L90C	11082218-6	014-P00-31	2	Base Edge STD STR	1	250	30	2750	MT2	21	M20	7/8"	154,7	7/8"x2 3/4"
	11081051-2	014-000-35	1	Bolt-on Edge STD CTR	1	305	25	1448	MT2	9	M20	7/8"	82,8	
	11011112-7	014-000-20	16	End-Section STD AMBI	2	406	25	646	MT2	8	M20	7/8"	49,2	
	(11081051-2)	014-001-35	20	Bolt-on Edge AFM CTR	1	305	25	1448	MT2	9	M20	7/8"	86,5	
	(11011112-7)	014-001-20	22	End-Section AFM AMBI	2	406	25	646	MT2	8	M20	7/8"	50,8	
	11082727-6	014-P00-44	2	Base Edge STD STR	1	250	25	2500	MT2	19	M20	7/8"	117,2	7/8"x2 1/2"
	11082739-1	014-000-46	1	Bolt-on Edge STD CTR	1	305	25	1200	MT2	7	M20	7/8"	68,6	
	11011112-7	014-000-20	16	End-Section STD AMBI	2	406	25	646	MT2	8	M20	7/8"	49,2	
	(11082739-1)	014-001-46	20	Bolt-on Edge AFM CTR	1	305	25	1200	MT2	7	M20	7/8"	71,6	
	(11011112-7)	014-001-20	22	End-Section AFM AMBI	2	406	25	646	MT2	8	M20	7/8"	50,8	
	11045661-3	014-P00-46	2	Base Edge STD STR	1	250	30	2650	MT2	20	M20	7/8"	149,1	7/8"x2 3/4"
	11045948-4	014-000-56	2	Bolt-on Edge STD CTR	1	305	25	1494	MT2	8	M20	7/8"	85,4	
	11045947-6	014-000-57	16	End-Section STD AMBI	2	406	25	574	MT2	8	M20	7/8"	43,7	
	(11045948-4)	014-001-56	21	Bolt-on Edge AFM CTR	1	305	25	1494	MT2	8	M20	7/8"	89,2	
	(11045947-6)	014-001-57	22	End-Section AFM AMBI	2	406	25	574	MT2	8	M20	7/8"	45,1	
	11045949-2	014-000-62	S4	Segment STD AMBI	5	254	30	300	MT2	2	M20	7/8"	17,1	
L50	11081682-4	014-P00-38	2	Base Edge STD STR	1	250	30	2650	MT2	21	M20	7/8"	149,1	7/8"x2 3/4"
L70/B	11011111-9	014-000-19	1	Bolt-on Edge STD CTR	1	305	25	1348	MT2	9	M20	7/8"	77,1	
EL70	11011112-7	014-000-20	16	End-Section STD AMBI	2	406	25	646	MT2	8	M20	7/8"	49,2	
L90B	(11011111-9)	014-001-19	20	Bolt-on Edge AFM CTR	1	305	25	1348	MT2	9	M20	7/8"	80,5	
L120B	(11011112-7)	014-001-20	22	End-Section AFM AMBI	2	406	25	646	MT2	8	M20	7/8"	50,8	
L90B	11081024-9	014-P00-57	2	Base Edge STD STR	1	200	25	3000	MT2	22	M20	7/8"	112,5	7/8"x2 1/2"
L120B	11012955-8	014-000-34	1	Bolt-on Edge STD CTR	1	305	25	1698	MT2	10	M20	7/8"	97,1	
	11011112-7	014-000-20	16	End-Section STD AMBI	2	406	25	646	MT2	8	M20	7/8"	49,2	
	(11012955-8)	014-001-34	20	Bolt-on Edge AFM CTR	1	305	25	1698	MT2	10	M20	7/8"	101,4	
	(11011112-7)	014-001-20	22	End-Section AFM AMBI	2	406	25	646	MT2	8	M20	7/8"	50,8	
4500 std	4859102-8	014-P00-11	1	Base Edge STD CTR	1	270	32	2750	MT2	12	M24	1"	178,2	1"x3 1/4"
L120 std	4857496-6	014-000-10	1	Bolt-on Edge STD CTR	4	330	25	686	MT2	3	M24	1"	42,4	
	(4857496-6)	014-001-10	20	Bolt-on Edge AFM CTR	4	330	25	686	MT2	3	M24	1"	44,2	
	11010185-4	014-P00-12	1	Base Edge STD STR	1	270	32	2950	MT2	12	M24	1"	191,2	1"x3 1/4"
	11010187-0	014-000-11	1	Bolt-on Edge STD CTR	4	330	25	736	MT2	3	M24	1"	45,5	
	(11010187-0)	014-001-11	20	Bolt-on Edge AFM CTR	4	330	25	736	MT2	3	M24	1"	47,4	
cont.	4858008-8	014-P00-13	1	Base Edge STD STR	1	200	25	3500	MT2	15	M24	1"	131,3	1"x2 3/4"

Base Edges used only bolt-on Edges

Our parts are not original but they are interchangeable with them. The O.E.M. Part Numbers are give for reference purposes only.

VOLVO-LOADERS

Base Edges, Bolt-on Edges & End Sections



**T O U G H
C O M P O N E N T S**

Model	O.E.M. Part Number	MTM Part Number	Ref.	Description	Nr. Pcs	Millimeters			Qt. ty	Nr. H.	Bolt metr.	Bolt inc.	W. Kg.	Bolt size
						W	T	L						
4500 std	4857496-6	014-000-10	1	Bolt-on Edge STD CTR	4	330	25	686	MT2	3	M24	1"	42,4	
L120 std	(4857496-6)	014-001-10	20	Bolt-on Edge AFM CTR	4	330	25	686	MT2	3	M24	1"	44,2	
	4857506-2	014-P00-14	1	Base Edge STD STR	1	300	40	3200	MT2	12	M24	1"	278,4	1"x3 1/4"
	4857497-4	014-000-12	1	Bolt-on Edge STD CTR	4	360	30	800	MT2	3	M24	1"	64,8	
	(4857497-4)	014-001-12	20	Bolt-on Edge AFM CTR	4	360	30	800	MT2	3	M24	1"	66,8	
	4858009-6	014-P00-15	1	Base Edge STD STR	1	200	25	4000	MT2	15	M24	1"	180,0	1"x2 3/4"
	4857497-4	014-000-12	1	Bolt-on Edge STD CTR	4	360	30	800	MT2	3	M24	1"	64,8	
	(4857497-4)	014-001-12	20	Bolt-on Edge AFM CTR	4	360	30	800	MT2	3	M24	1"	66,8	
L120	11010396-7	014-P00-21	2	Base Edge STD STR	1	270	32	2850	MT2	19	M20	7/8"	184,7	7/8"x2 3/4"
L120B	11011153-1	014-000-21	1	Bolt-on Edge STD CTR	1	360	30	1600	MT2	9	M20	7/8"	129,6	
L120C	11011154-9	014-000-22	16	End-Section STD AMBI	2	471	30	622	MT2	6	M20	7/8"	65,9	
	(11011153-1)	014-001-21	20	Bolt-on Edge AFM CTR	1	360	30	1600	MT2	9	M20	7/8"	133,6	
	(11011154-9)	014-001-22	22	End-Section AFM AMBI	2	471	30	622	MT2	6	M20	7/8"	67,5	
	11011630-8	014-P00-27	2	Base Edge STD STR	1	200	25	3400	MT2	25	M20	7/8"	127,5	7/8"x2 1/2"
	11011631-6	014-000-31	1	Bolt-on Edge STD CTR	1	305	25	2098	MT2	13	M20	7/8"	120,0	
	11011112-7	014-000-20	16	End-Section STD AMBI	2	406	25	646	MT2	8	M20	7/8"	49,2	
	(11011631-6)	014-001-31	20	Bolt-on Edge AFM CTR	1	305	25	2098	MT2	13	M20	7/8"	125,3	
	(11011112-7)	014-001-20	22	End-Section AFM AMBI	2	406	25	646	MT2	8	M20	7/8"	50,8	
	11012081-3	014-P00-28	2	Base Edge STD STR	1	200	25	3200	MT2	21	M20	7/8"	120,0	7/8"x3 1/4"
	11011410-5	014-000-23	1	Bolt-on Edge STD CTR	1	305	29	1467	MT2	7	M20	7/8"	97,3	
	11011411-3	014-000-24	25	End-Section STD AMBI	2	406	29	864	MT2	10	M20	7/8"	76,3	
	(11011410-5)	014-001-23	20	Bolt-on Edge AFM CTR	1	305	29	1467	MT2	7	M20	7/8"	101,0	
	(11011411-3)	014-001-24	26	End-Section AFM AMBI	2	406	29	864	MT2	10	M20	7/8"	78,5	
	11045768-6	014-P00-47	2	Base Edge STD STR	1	270	32	2880	MT2	25	M20	7/8"	186,6	7/8"x2 3/4"
	11045809-8	014-000-58	3	Bolt-on Edge STD CTR	1	360	30	1624	MT2	11	M20	7/8"	131,5	
	11045808-0	014-000-59	17	End-Section STD AMBI	2	471	30	622	MT2	10	M20	7/8"	65,9	
	(11045809-8)	014-001-58	24	Bolt-on Edge AFM CTR	1	360	30	1624	MT2	11	M20	7/8"	135,6	
	(11045808-0)	014-001-59	23	End-Section AFM AMBI	2	471	30	622	MT2	10	M20	7/8"	67,5	
	11045810-6	014-000-63	S5	Segment STD AMBI	5	280	32	350	MT2	3	M20	7/8"	23,5	
	11082219-4	014-P00-41	2	Base Edge STD STR	1	270	32	3000	MT2	19	M20	7/8"	194,4	7/8"x2 3/4"
	11082755-7	014-000-41	1	Bolt-on Edge STD CTR	1	360	30	1745	MT2	9	M20	7/8"	141,3	
	11011154-9	014-000-22	16	End-Section STD AMBI	2	471	30	622	MT2	6	M20	7/8"	65,9	
	(11082755-7)	014-001-41	20	Bolt-on Edge AFM CTR	1	360	30	1745	MT2	9	M20	7/8"	145,7	
	(11011154-9)	014-001-22	22	End-Section AFM AMBI	2	471	30	622	MT2	6	M20	7/8"	67,5	
L150	11011065-7	014-P00-45	2	Base Edge STD STR	1	300	40	3000	MT2	21	M20	7/8"	270,0	7/8"x3 1/4"
L150C	11011512-8	014-000-25	1	Bolt-on Edge STD CTR	1	305	29	1267	MT2	7	M20	7/8"	84,0	

Base Edges used only bolt-on Edges

Our parts are not original but they are interchangeable with them. The O.E.M. Part Numbers are give for reference purposes only.

VOLVO-LOADERS

Base Edges, Bolt-on Edges & End Sections



**T O U G H
C O M P O N E N T S**

Model	O.E.M. Part Number	MTM Part Number	Ref.	Description	Nr. Pcs	Millimeters			Qt. ty	Nr. H.	Bolt metr.	Bolt inc.	W. Kg.	Bolt size
						W	T	L						
L150	11011411-3	014-000-24	25	End-Section STD AMBI	2	406	29	864	MT2	10	M20	7/8"	76,3	
L150C	(11011512-8)	014-001-25	20	Bolt-on Edge AFM CTR	1	305	29	1267	MT2	7	M20	7/8"	87,2	
	(11011411-3)	014-001-24	26	End-Section AFM AMBI	2	406	29	864	MT2	10	M20	7/8"	78,5	
	11081060-3	014-P00-23	2	Base Edge STD STR	1	300	40	3000	MT2	21	M24	1"	270,0	1"x 3 1/4"
	11081064-5	014-000-26	1	Bolt-on Edge STD CTR	1	380	35	1267	MT2	7	M24	1"	126,4	
	11081069-4	014-000-27	25	End-Section STD AMBI	2	480	35	864	MT2	10	M24	1"	108,9	
	(11081064-5)	014-001-26	20	Bolt-on Edge AFM CTR	1	380	35	1267	MT2	7	M24	1"	129,6	
	(11081069-4)	014-001-27	26	End-Section AFM AMBI	2	480	35	864	MT2	10	M24	1"	111,0	
	11045300-8	014-P00-59	2	Base Edge STD STR	1	250	30	3200	MT2	21	M24	1"	180,0	1"x 2 3/4"
	11081068-6	014-000-29	1	Bolt-on Edge STD CTR	1	380	35	1467	MT2	7	M24	1"	146,3	
	11081069-4	014-000-27	25	End-Section STD AMBI	2	480	35	864	MT2	10	M24	1"	108,9	
	(11081068-6)	014-001-29	20	Bolt-on Edge AFM CTR	1	380	35	1467	MT2	7	M24	1"	150,0	
	(11081069-4)	014-001-27	26	End-Section AFM AMBI	2	480	35	864	MT2	10	M24	1"	111,0	
	11011913-8	014-P00-24	2	Base Edge STD STR	1	300	40	3200	MT2	21	M20	7/8"	288,0	7/8"x3 1/4"
	11011410-5	014-000-23	1	Bolt-on Edge STD CTR	1	305	29	1467	MT2	7	M20	7/8"	97,3	
	11011411-3	014-000-24	25	End-Section STD AMBI	2	406	29	864	MT2	10	M20	7/8"	76,3	
	(11011410-5)	014-001-23	20	Bolt-on Edge AFM CTR	1	305	29	1467	MT2	7	M20	7/8"	101,0	
	(11011411-3)	014-001-24	26	End-Section AFM AMBI	2	406	29	864	MT2	10	M20	7/8"	78,5	
	11081061-1	014-P00-25	2	Base Edge STD STR	1	300	40	3200	MT2	21	M24	1"	288,0	1"x 3 1/4"
	11081068-6	014-000-29	1	Bolt-on Edge STD CTR	1	380	35	1467	MT2	7	M24	1"	146,3	
	11081069-4	014-000-27	25	End-Section STD AMBI	2	480	35	864	MT2	10	M24	1"	108,9	
	(11081068-6)	014-001-29	20	Bolt-on Edge AFM CTR	1	380	35	1467	MT2	7	M24	1"	150,0	
	(11081069-4)	014-001-27	26	End-Section AFM AMBI	2	480	35	864	MT2	10	M24	1"	111,0	
	11011561-5	014-P00-26	2	Base Edge STD STR	1	200	25	3700	MT2	24	M20	7/8"	138,8	7/8"x2 1/2"
	11011570-6	014-000-30	1	Bolt-on Edge STD CTR	1	305	29	1965	MT2	10	M20	7/8"	130,4	
	11011411-3	014-000-24	25	End-Section STD AMBI	2	406	29	864	MT2	10	M20	7/8"	76,3	
	(11011570-6)	014-001-30	20	Bolt-on Edge AFM CTR	1	305	29	1965	MT2	10	M20	7/8"	135,3	
	(11011411-3)	014-001-24	26	End-Section AFM AMBI	2	406	29	864	MT2	10	M20	7/8"	78,5	
	11081059-5	014-P00-33	2	Base Edge STD STR	1	200	25	3200	MT2	21	M24	1"	120,0	1"x 2 3/4"
	11081068-6	014-000-29	1	Bolt-on Edge STD CTR	1	380	35	1467	MT2	7	M24	1"	146,3	
	11081069-4	014-000-27	25	End-Section STD AMBI	2	480	35	864	MT2	10	M24	1"	108,9	
	(11081068-6)	014-001-29	20	Bolt-on Edge AFM CTR	1	380	35	1467	MT2	7	M24	1"	150,0	
	(11081069-4)	014-001-27	26	End-Section AFM AMBI	2	480	35	864	MT2	10	M24	1"	111,0	
	11082598-1	014-P00-40	2	Base Edge STD STR	1	300	40	3000	MT2	20	M24	1"	270,0	1"x 3 1/4"
	11082665-8	014-000-42	2	Bolt-on Edge STD CTR	1	380	35	1618	MT2	8	M24	1"	161,4	
cont.	11082664-1	014-000-43	16	End-Section STD AMBI	2	480	35	687	MT2	8	M24	1"	86,6	

Base Edges used only bolt-on Edges

Our parts are not original but they are interchangeable with them. The O.E.M. Part Numbers are give for reference purposes only.

VOLVO-LOADERS

Base Edges, Bolt-on Edges & End Sections



**T O U G H
C O M P O N E N T S**

Model	O.E.M. Part Number	MTM Part Number	Ref.	Description	Nr. Pcs	Millimeters			Qt. ty	Nr. H.	Bolt metr.	Bolt inc.	W. Kg.	Bolt size
						W	T	L						
L150	(11082665-8)	014-001-42	21	Bolt-on Edge AFM CTR	1	380	35	1618	MT2	8	M24	1"	165,5	
L150C	(11082664-1)	014-001-43	22	End-Section AFM AMBI	2	480	35	687	MT2	8	M24	1"	88,3	
	11111054-0	014-000-64	S4	Segment STD AMBI	5	380	35	280	MT2	2	M24	1"	27,9	
	11111884-0	014-P00-55	2	Base Edge STD STR	1	300	40	3000	MT2		M24	1"	270,0	1"x 3 1/4"
	11111886-5	014-000-53	2	Bolt-on Edge STD CTR	1	380	35	1682	MT2	8	M24	1"	167,8	
	11111885-7	014-000-54	16	End-Section STD AMBI	2	480	35	655	MT2	8	M24	1"	82,5	
	(11111886-5)	014-001-53	21	Bolt-on Edge AFM CTR	1	380	35	1682	MT2	8	M24	1"	172,0	
	(11111885-7)	014-001-54	22	End-Section AFM AMBI	2	480	35	655	MT2	8	M24	1"	84,2	
	11111054-0	014-000-64	S4	Segment STD AMBI	5	380	35	280	MT2	2	M24	1"	27,9	
L160	11010397-5	014-P00-22	2	Base Edge STD STR	1	300	40	3200	MT2	21	M20	7/8"	288,0	7/8"x3 1/4"
	11011410-5	014-000-23	1	Bolt-on Edge STD CTR	1	305	29	1467	MT2	7	M20	7/8"	97,3	
	11011411-3	014-000-24	25	End-Section STD AMBI	2	406	29	864	MT2	10	M20	7/8"	76,3	
	(11011410-5)	014-001-23	20	Bolt-on Edge AFM CTR	1	305	29	1467	MT2	7	M20	7/8"	101,0	
	(11011411-3)	014-001-24	26	End-Section AFM AMBI	2	406	29	864	MT2	10	M20	7/8"	78,5	
L150	11081058-7	014-P00-32	2	Base Edge STD STR	1	200	25	3700	MT2	24	M24	1"	138,8	1"x2 3/4"
L180	11081066-0	014-000-36	1	Bolt-on Edge STD CTR	1	380	35	1965	MT2	10	M24	1"	196,0	
L150C	11081069-4	014-000-27	25	End-Section STD AMBI	2	480	35	864	MT2	10	M24	1"	108,9	
L180C	(11081066-0)	014-001-36	20	Bolt-on Edge AFM CTR	1	380	35	1965	MT2	10	M24	1"	201,0	
	(11081069-4)	014-001-27	26	End-Section AFM AMBI	2	480	35	864	MT2	10	M24	1"	111,0	
	11082599-9	014-P00-42	2	Base Edge STD STR	1	300	40	3200	MT2	20	M24	1"	288,0	1"x3 1/4"
	11082666-6	014-000-44	2	Bolt-on Edge STD CTR	1	380	35	1818	MT2	8	M24	1"	181,3	
	11082664-1	014-000-43	16	End-Section STD AMBI	2	480	35	687	MT2	8	M24	1"	86,6	
	(11082666-6)	014-001-44	21	Bolt-on Edge AFM CTR	1	380	35	1818	MT2	8	M24	1"	185,9	
	(11082664-1)	014-001-43	22	End-Section AFM AMBI	2	480	35	687	MT2	8	M24	1"	88,3	
	11111887-3	014-000-65	S4	Segment STD AMBI	5	330	35	380	MT2	2	M24	1"	32,9	
	11011913-8	014-P00-24	2	Base Edge STD STR	1	300	40	3200	MT2	21	M20	7/8"	288,0	7/8"x3 1/4"
	11011410-5	014-000-23	1	Bolt-on Edge STD CTR	1	305	29	1467	MT2	7	M20	7/8"	97,3	
	11011411-3	014-000-24	25	End-Section STD AMBI	2	406	29	864	MT2	10	M20	7/8"	76,3	
	(11011410-5)	014-001-23	20	Bolt-on Edge AFM CTR	1	305	29	1467	MT2	7	M20	7/8"	101,0	
	(11011411-3)	014-001-24	26	End-Section AFM AMBI	2	406	29	864	MT2	10	M20	7/8"	78,5	
	11081061-1	014-P00-25	2	Base Edge STD STR	1	300	40	3200	MT2	21	M24	1"	288,0	1"x3 1/4"
	11081068-6	014-000-29	1	Bolt-on Edge STD CTR	1	380	35	1467	MT2	7	M24	1"	146,3	
	11081069-4	014-000-27	25	End-Section STD AMBI	2	480	35	864	MT2	10	M24	1"	108,9	
	(11081068-6)	014-001-29	20	Bolt-on Edge AFM CTR	1	380	35	1467	MT2	7	M24	1"	150,0	
	(11081069-4)	014-001-27	26	End-Section AFM AMBI	2	480	35	864	MT2	10	M24	1"	111,0	

Base Edges used only bolt-on Edges

Our parts are not original but they are interchangeable with them. The O.E.M. Part Numbers are give for reference purposes only.

VOLVO-LOADERS

Base Edges, Bolt-on Edges & End Sections



**T O U G H
C O M P O N E N T S**

Model	O.E.M. Part Number	MTM Part Number	Ref.	Description	Nr. Pcs	Millimeters			Qt. ty	Nr. H.	Bolt metr.	Bolt inc.	W. Kg.	Bolt size
						W	T	L						
4600/B L160 L180	11081062-9	014-P00-34	2	Base Edge STD STR	1	200	25	4000	MT2	26	M24	1	150,0	1"x2 3/4"
	11081067-8	014-O00-37	1	Bolt-on Edge STD CTR	1	380	35	2265	MT2	12	M24	1"	225,9	
	11081069-4	014-O00-27	25	End-Section STD AMBI	2	480	35	864	MT2	10	M24	1"	108,9	
	(11081067-8)	014-O01-37	20	Bolt-on Edge AFM CTR	1	380	35	2265	MT2	12	M24	1"	231,6	
	(11081069-4)	014-O01-27	26	End-Section AFM AMBI	2	480	35	864	MT2	10	M24	1"	111,0	
L180 L180C	11081063-7	014-P00-35	2	Base Edge STD STR	1	200	25	3400	MT2	23	M24	1"	127,5	1"x2 3/4"
	11081065-2	014-O00-38	1	Bolt-on Edge STD CTR	1	380	35	1666	MT2	9	M24	1"	166,2	
	11081069-4	014-O00-27	25	End-Section STD AMBI	2	480	35	864	MT2	10	M24	1"	108,9	
	(11081065-2)	014-O01-38	20	Bolt-on Edge AFM CTR	1	380	35	1666	MT2	9	M24	1"	170,4	
	(11081069-4)	014-O01-27	26	End-Section AFM AMBI	2	480	35	864	MT2	10	M24	1"	111,0	
	11081078-5	014-P00-58	2	Base Edge STD STR	1	300	40	3400	MT2	23	M24	1"	306,0	1"x3 1/4"
	11081065-2	014-O00-38	1	Bolt-on Edge STD CTR	1	380	35	1666	MT2	9	M24	1"	166,2	
	11081069-4	014-O00-27	25	End-Section STD AMBI	2	480	35	864	MT2	10	M24	1"	108,9	
	(11081065-2)	014-O01-38	20	Bolt-on Edge AFM CTR	1	380	35	1666	MT2	9	M24	1"	170,4	
	(11081069-4)	014-O01-27	26	End-Section AFM AMBI	2	480	35	864	MT2	10	M24	1"	111,0	
	11082601-3	014-P00-43	2	Base Edge STD STR	1	300	40	3400	MT2	20	M24	1"	306,0	1"x3 1/4"
	11082667-4	014-O00-45	2	Bolt-on Edge STD CTR	1	380	35	2018	MT2	8	M24	1"	201,3	
	11082664-1	014-O00-43	16	End-Section STD AMBI	2	480	35	687	MT2	8	M24	1"	86,6	
	(11082667-4)	014-O01-45	21	Bolt-on Edge AFM CTR	1	380	35	2018	MT2	8	M24	1"	206,4	
	(11082664-1)	014-O01-43	22	End-Section AFM AMBI	2	480	35	687	MT2	8	M24	1"	88,3	
	11111761-0	014-O00-66	S4	Segment STD AMBI	5	330	35	380	MT2	2	M24	1"	32,9	
	11082727-6	014-P00-44	2	Base Edge STD STR	1	250	25	2500	MT2	19	M20	7/8"	117,2	7/8"x2 3/4"
	11082739-1	014-O00-46	1	Bolt-on Edge STD CTR	1	305	25	1200	MT2	7	M20	7/8"	68,6	
	11011112-7	014-O00-20	16	End-Section STD AMBI	2	406	25	646	MT2	8	M20	7/8"	49,2	
	(11082739-1)	014-O01-46	20	Bolt-on Edge AFM CTR	1	305	25	1200	MT2	7	M20	7/8"	71,6	
(11011112-7)	014-O01-20	22	End-Section AFM AMBI	2	406	25	646	MT2	8	M20	7/8"	50,8		
L180C	11111760-2	014-P00-48	2	Base Edge STD STR	1	300	40	3400	MT2	21	M24	1"	306,0	1"x3 1/4"
	11111776-8	014-O00-60	1	Bolt-on Edge STD CTR	1	380	35	1954	MT2	9	M24	1"	194,9	
	11111775-0	014-O00-61	17	End-Section STD AMBI	2	480	35	719	MT2	10	M24	1"	90,6	
	(11111776-8)	014-O01-60	20	Bolt-on Edge AFM CTR	1	380	35	1954	MT2	9	M24	1"	199,8	
	(11111775-0)	014-O01-61	23	End-Section AFM AMBI	2	480	35	719	MT2	10	M24	1"	92,4	
	11011903-9	014-P00-49	2	Base Edge STD STR	1	300	40	3400	MT2	23	M20	7/8"	306,0	7/8"x3 1/4"
	11011987-2	014-O00-55	1	Bolt-on Edge STD CTR	1	305	29	1664	MT2	9	M20	7/8"	110,4	
	11011411-3	014-O00-24	25	End-Section STD AMBI	2	406	29	864	MT2	10	M20	7/8"	76,3	
	(11011987-2)	014-O01-55	20	Bolt-on Edge AFM CTR	1	305	29	1664	MT2	9	M20	7/8"	114,6	
	cont.	(11011411-3)	014-O01-24	26	End-Section AFM AMBI	2	406	29	864	MT2	10	M20	7/8"	78,5

Base Edges used only bolt-on Edges

Our parts are not original but they are interchangeable with them. The O.E.M. Part Numbers are give for reference purposes only.