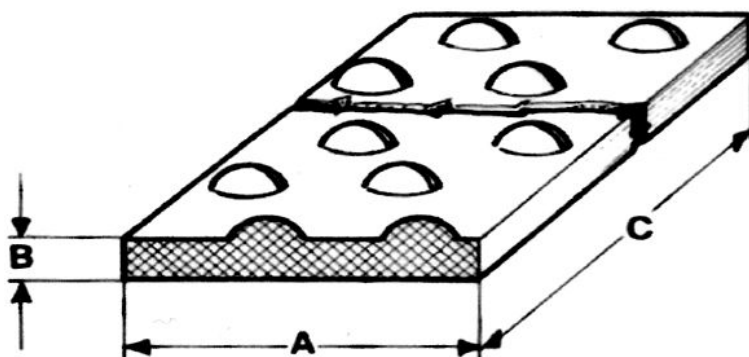
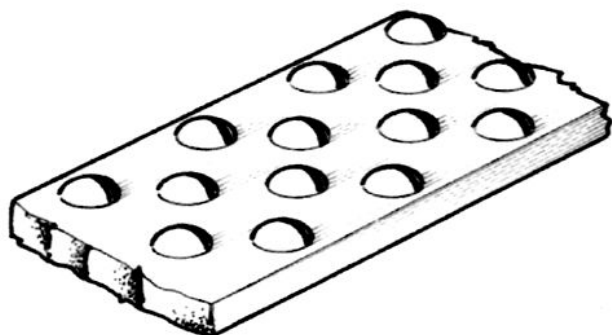


PRODUCT FEATURES

Sectio	UTO ASQ
Pag.	1
Revision	

Title	Anti-Wear Armoured steel DURO 600
-------	-----------------------------------



Dimensions (mm)

A	=	80	100	120
B	=	10	15	20
C	=	3000 c.a. mm		

Thickness welded points min.2,5 max 3,5 mm

Hardness welded points HRC 52 - 62

Steel type

S275JR (Fe430B)

Chemical composition

Colate composition				Product composition			
C	N	S	P	C	N	S	P
0,21	-	0,045	0,045	0,25	-	0,055	0,055
max		max	max	max		max	max

Mechanical features

Steel UNI 7070	Rm (N/mm)	Re (N/mm)	A (%)	Z (%)	KV + 20°C	HB	HRC
Grezzo	430-560	265	24	-	27J	-	-

Note

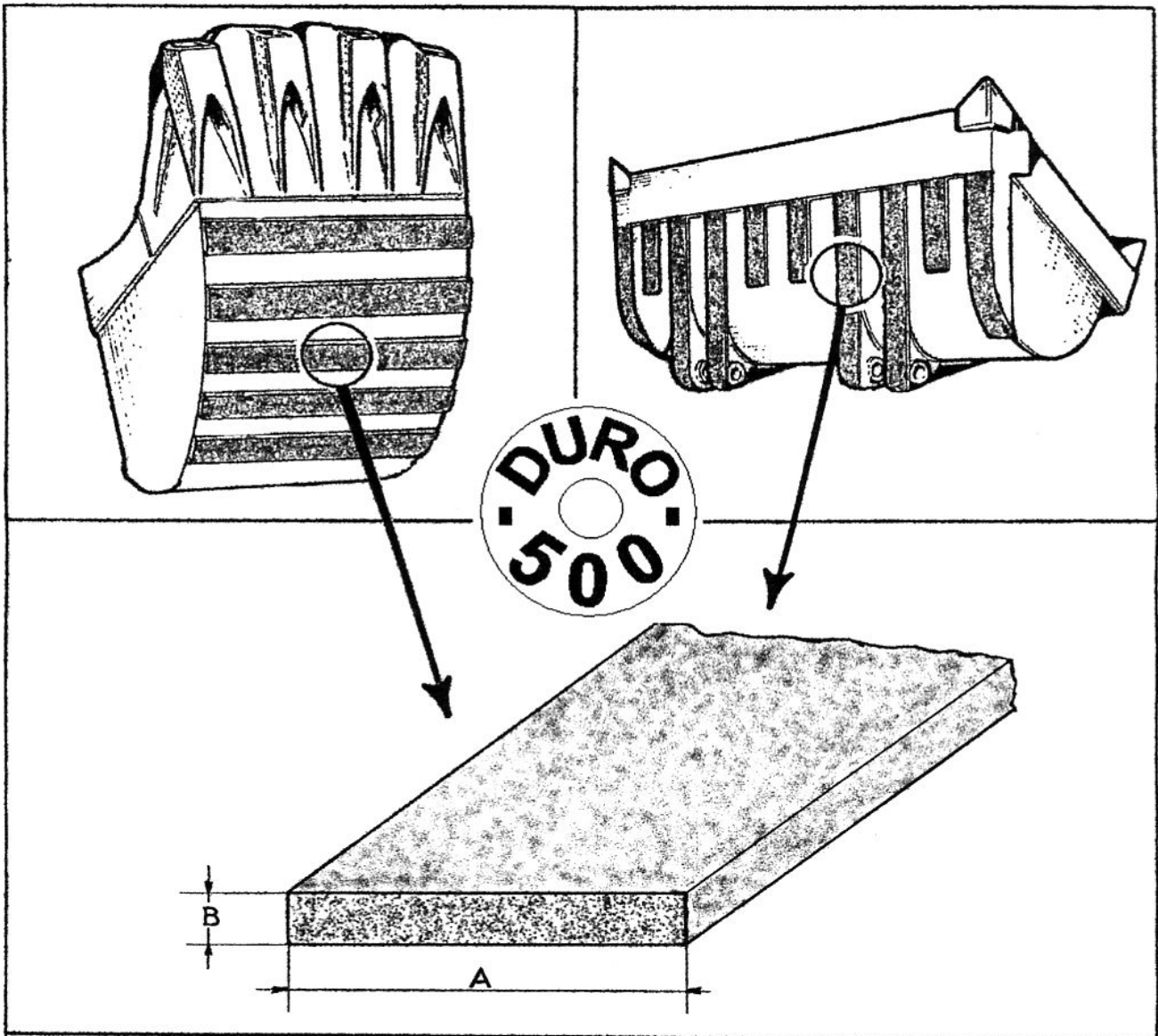
It is particularly suggested for the bottoms and side parts of backhoes and showell buckets, nevertheless any time you have to protect your equipment against extreme wearing.

Issue date	16-12-2003	Last Rev.	Prev. Rev.	No.Doc.
------------	------------	-----------	------------	---------

ANTI-WEAR STEEL



**T O U G H
C O M P O N E N T S**



Like the armored steel the antiwear strips will solve all your wear problems.

It is particularly suggested for the bottoms and side parts of backhoes and loader buckets, nevertheless any time you have to protect your equipment against extreme wearing.

The hardness of the steel strip is 500HB (460 - 520)

Standard length of the bars 20' (6 meters).

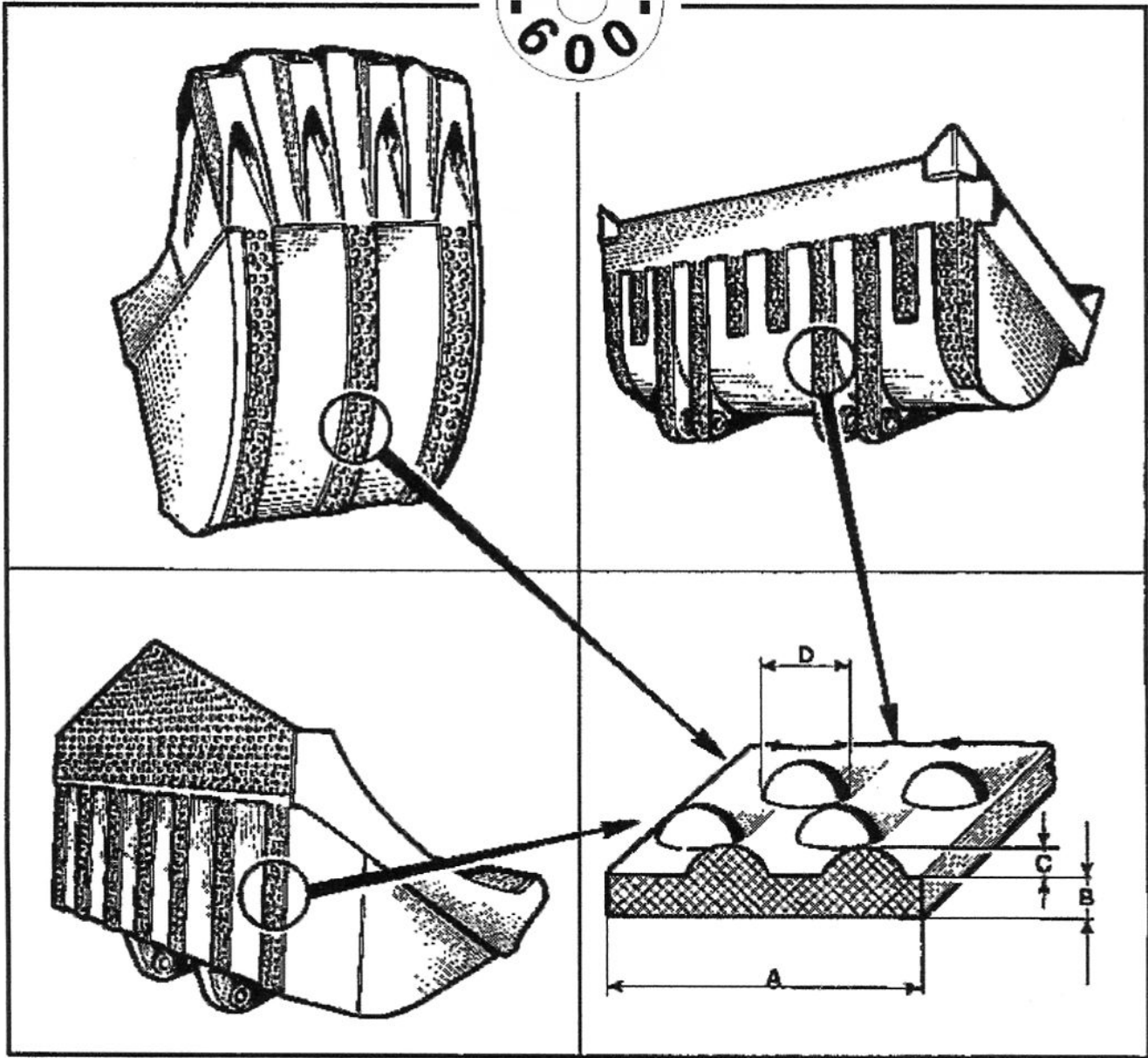
MTM Part Number	Millimeters		Inches		Kg/Mt	Lbs/Foot
	A	B	A	B		
053.B12.60P	100	12	3,94"	0,47"	9,36	6,29
053.C15.60P	120	15	4,72"	0,59"	14,04	9,44
053.D16.60P	150	16	5,91"	0,59"	18,72	12,58
053.E20.60P	180	20	7,1"	0,59"	28,08	18,88

If you should need other dimensions please send us the request , to be evalutate.

ANTI-WEAR ARMoured STEEL



**T O U G H
C O M P O N E N T S**



It solves all your wear problems.

It is particularly suggested for the bottoms and side parts of backhoes and shovell buckets, nevertheless any time you have to protect your equipment against extreme wearing.

In fact the welded points have a hardness of 510-550 HB (52-55 Rc) and the supporting bar of 220-240 HB.

Either the welded points and the supporting bars are made out of wear-resistant steel.

Standard length of the bars 10' (3 meters).

MTM Part Number	Millimeters				Inches				Kg/Mt	Lbs/Foot
	A	B	C	D	A	B	C	D		
53.A10.30S	80	10	2,5	22	3",10	0",39	0",19	0",87	7	5,15
53.B15.30S	100	15	3,0	25	4",00	0",59	0",12	1",00	13	8,85
53.B20.30S	120	20	3,5	28	4",75	0",79	0",14	1",18	20	13,65