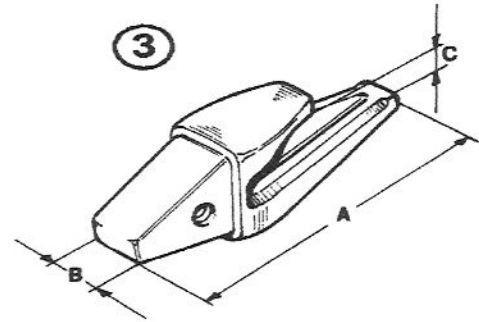
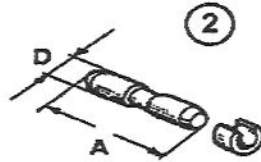
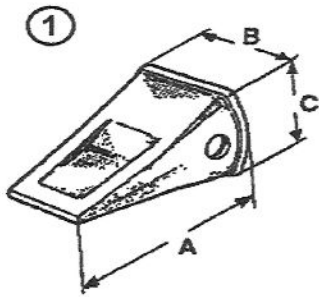


MISCELLANEOUS

Kom. Tips, Adapters & Locking Pins



**T O U G H
C O M P O N E N T S**



Machine type	O.E.M. Part Nr.	M.T.M. Part Nr.	Description	Ref.	Millimeters				Weight Kg
					A	B	C	D	
PC 60	20X-70-14160	.	Tip	1	175	75	75		2,30
	20X-70-14151	.	Adapter	3					
	20X-70-00150	.	Horizontal Pin	2					
PC100-PC120	205-70-19570	002-107	Tip	1	220	96	101		3,90
PC128US PC130	205-939-7120	002-201	Adapter	3	300	90	33		8,40
	09244-02496	002-304	Horizontal Pin	2	96			24,8	0,70
PC200-PC210	205-70-19570	002-107	Tip	1	220	96	101		3,90
PC228USLC	205-939-7120	002-201	Adapter HD	3	300	90	33		8,40
	20Y-70-14520	.	Adapter	3	300	90	36		8,00
	20Y-934-2211	.	Adapter	3					
	09244-02496	002-304	Horizontal Pin	2	96			24,8	0,70
PC220	207-70-14151	002-109	Tip	1	244	120	114		6,30
	206-70-48610	.	Tip	1					
	206-70-58250	.	Adapter	3					
	206-939-5120	.	Adapter	3	336	115	37		13,00
	209-939-5550	.	Adapter HD						
	09244-02496	002-304	Horizontal Pin	2	96			24,8	0,70
PC230	206-70-48610	.	Tip	1					
	207-939-5120	.	Adapter	3					
	09244-02496	002-304	Horizontal Pin	2	96			24,8	0,70
PC300-PC350	207-70-14151	002-109	Tip	1	244	120	114		6,30
	207-939-5120	.	Adapter	3					
	207-939-3120	002-202	Adapter	3	366	115	42		13,5
	09244-02516	.	Horizontal Pin	2	116			24,8	0,80
PC400-PC450	208-70-14152	002-110	Tip	1	274	151	121		9,60
	208-939-3120	002-203	Adapter	3	410	136	47		20,00
	208-934-5120	.	Adapter	3					
	09244-03036	002-306	Horizontal Pin	2	136			29,8	0,85
PC600	209-70-54210		Tip	1					
	209-70-74141		Adapter	3					
	209-70-54240		Horizontal Pin	2					
PC650-PC650SE	209-70-54210		Tip	1					
PC710-PC710SE	209-70-54143		Adapter	3					
	209-70-54240		Horizontal Pin	2					
PC750-PC750SE	209-70-54210		Tip	1					
PC850-PC850SE	209-70-74140		Adapter	3					
	209-70-54240		Horizontal Pin	2					

Our parts are not original but they are interchangeable with them. The O.E.M. Part Numbers are give for reference purposes only.