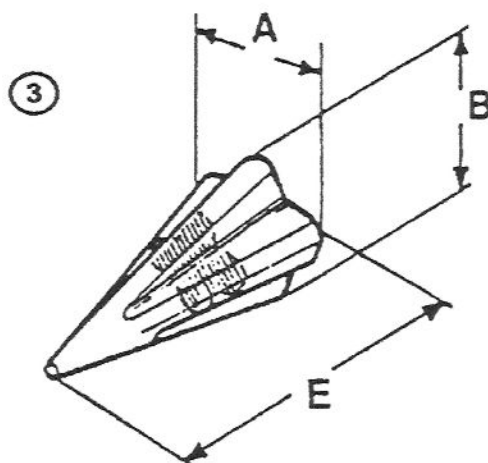
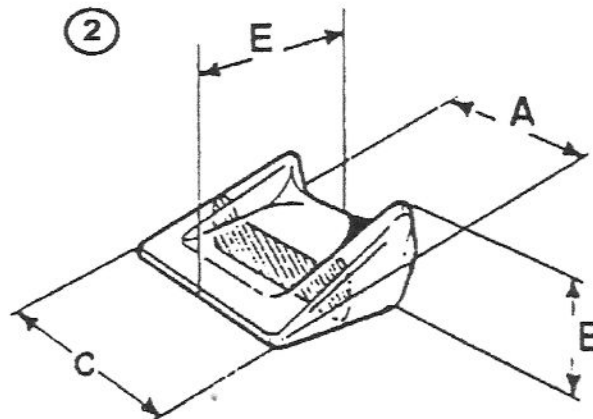
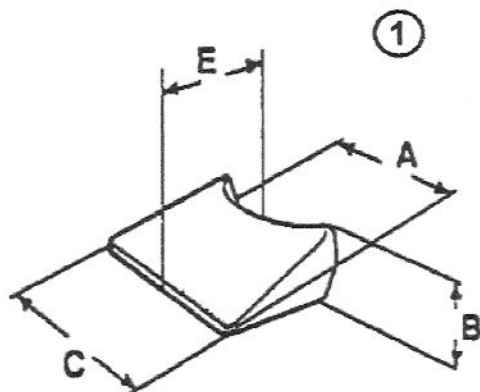


MISCELLANEOUS

Repointers



**T O U G H
C O M P O N E N T S**



O.E.M. Part Nr.	M.T.M. Part Nr.	Description	Ref.	Millimeters				Inches				Ø	Weight	
				A	B	C	E	A	B	C	E		Kg	Lbs
080 50	71.406.X0M	Repointer	1	80	50	95	125	3,1	2,0	3,7	5,0		2,4	5,3
5102676	71.412.X0M	Repointer	1	110	52	125	110	4,3	2,0	5,0	4,3		3,1	6,8
4044365	71.416.X0M	Repointer	1	150	65	150	170	6,0	2,6	6,0	6,7		8,0	17,6
165 65	71.417.X0M	Repointer	1	165	65	175	100	6,5	2,6	6,9	4,0		6,0	13,2
095 50	71.419.X0M	Repointer	1	95	50	110	95	3,7	2,0	4,3	3,7		2,3	5,1
5089167	71.444.X0M	Repointer	2	72	42	80	75	2,8	1,7	3,1	3,0		0,8	1,8
051 55	71.462.X0M	Repointer	3	51	55		125	2,0	2,2		5,0		1,0	2,2
062 62	71.466.X0M	Repointer	3	62	62		160	2,4	2,4		6,3		1,8	4,0
080 80	71.645.X0M	Repointer	3	80	80		200	3,1	3,1		7,9		3,0	6,6